

SXOBH-55-XTR

55" Outdoor Waterproof Sunlight Readable LCD Monitor/TV



- 2,500 Nits Brightness, and Optically Bonded, For Use in Direct Sunlight
- IP 68/NEMA 6 Fully-Sealed Enclosure
- Full HD Resolution: 1920 x 1080 (1080p/60)
- Maintenance-Free: No Vents, Fans or Filters
- Ambient Light Sensor Adjusts Screen Brightness Automatically
- Anti-Reflective, Impact-Resistant Safety Glass, Rated IK10
- Remote Diagnostics (SNMP Protocol)
- Auto Re-Start After Power Loss
- Built-in TV Tuner
- 12 VDC and 5 VDC Power Outputs
- KeyLock Function
- Made in USA

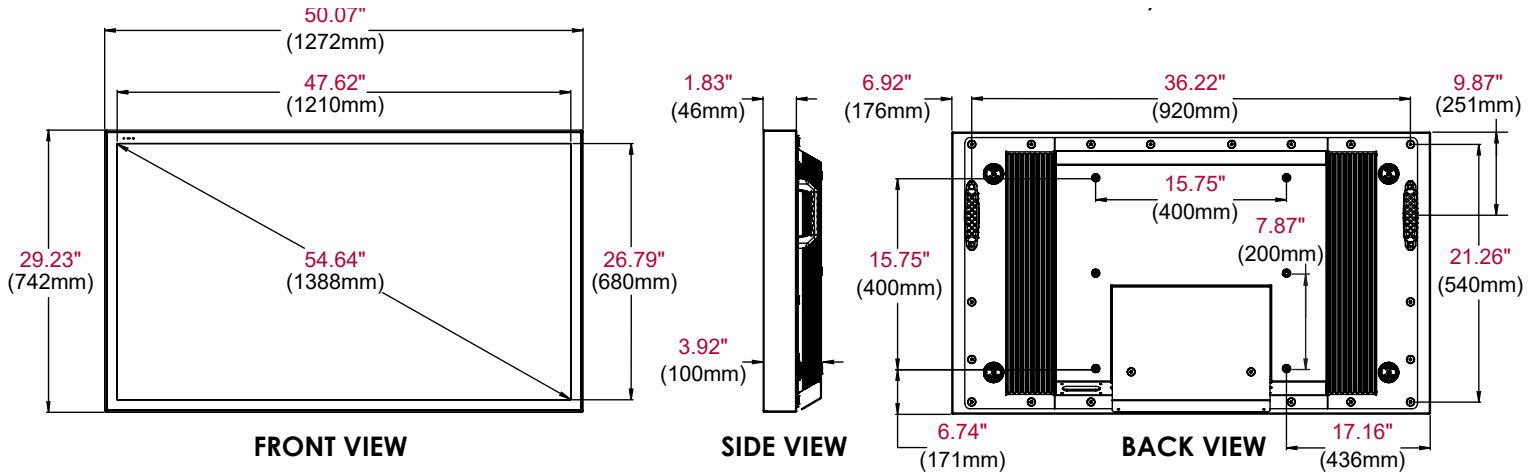
The SXOBH-55-XTR Sunlight Readable Waterproof LCD monitor/TV represents the most advanced technology available today. The Optically Bonded high-brightness (2,500 nits) screen enables users to see clear, sharp video images even with bright sunlight directly on the screen. The Anti-Reflective, UV-protective 5mm safety glass reduces glare and reflections while protecting the screen.

The SXOBH-55-XTR features a fully-sealed, corrosion-resistant enclosure, rated IP68/NEMA 6. There are no air vents, filters or fans as with other monitors, making them completely maintenance-free. They are completely sealed against water, dust, sand, metal shavings and any other airborne particulates. This is the ultimate solution for use outdoors, or in challenging industrial environments.

	Specifications
MODEL	SXOBH-55-XTR
LCD Panel	55" IPS Panel
Display Resolution	1920 x 1080p Full HD
Viewable Area	47.62" (W) x 26.79" (H) (1210 x 680mm)
Display Orientation	Landscape or Portrait Mode
Pixel Pitch	.210 x .630mm
Display Colors	8 Bit, 16.7 Million Colors
Aspect Ratio	16:9
Brightness	2,500 nits
Contrast Ratio	1,300:1
Ambient Light Sensor	Standard
Optical bonding	Standard
Viewing Angle	178° (H) x 178° (V)
Response Time	12ms (Gray to Gray)
Video Inputs	VGA, HDMI (x3), Composite, YPbPr, DisplayPort, Coax, USB
Audio Inputs	VGA Stereo Audio 3.5mm (x1)
Control	Remote Control with IR extender; RS-232 Control
Power Requirement	100 VAC to 240 VAC
Power Consumption	186W
Enclosure / IP Rating	Rugged Corrosion-Resistant Aluminum; IP68/NEMA 6 Waterproof
Protective Glass	5mm Tempered Anti-Reflective Glass (IK10)
Mounting	400mm x 200mm , 400mm x 400mm VESA Hole Pattern
Operating Temperature	-31°F to +140°F (-35°C to +60°C)
Dimensions	50.07" (W) x 29.23" (H) x 3.92"(D) (1272x742x100mm)
Net Weight	133 lb (60kg)
Warranty	2 Years

SXOBH-55-XTR

55" Outdoor Waterproof Sunlight Readable LCD Monitor/TV



Standard Accessories:

- AC Power Cord
- IR Extender
- Remote Control

Available Options:

- Outdoor Sound Bar (SB 88)
- External Media Player Enclosure
- Advanced Replacement Warranty
- Ambient Light Sensor Extender (ALS-E)
- Outdoor Universal Tilt Wall Mount (MB-6500T)
- Outdoor Universal Wind-Rated Tilt Wall Mount (MB-6500 WR)
- Outdoor Articulating Wall Mount (MB-267)
- Wind-Rated Pedestal Mount- 5 Ft. (MB-GPM05)
- Wind-Rated Pedestal Mount- 6 Ft. (MB-GPM06)