

SRMD-15.6N

15.6" Sunlight Readable Split Screen LCD Monitor



- Produces Clear, Sharp Images Even in Direct Bright Sunlight
- 1,000 nits Brightness
- Split-Screen for Two Simultaneous Images
- LED Backlights
- High Shock & Vibration Resistance
- Lockable On-Screen Display Controls
- Rugged Steel Enclosure
- 3-Year Warranty

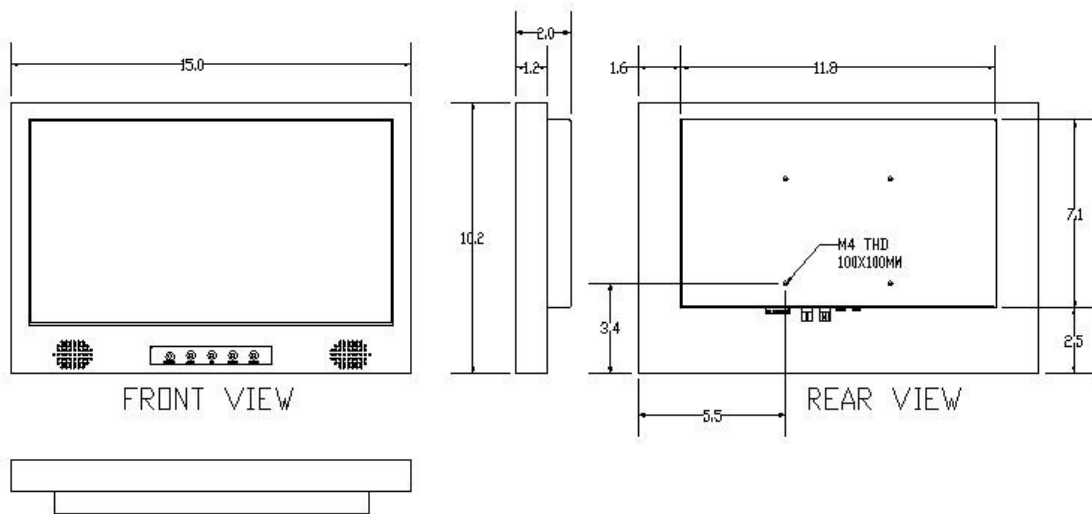
The SRMD-15.6N Sunlight Readable Split Screen monitors are designed to operate in direct bright sunlight, or in other high ambient-light conditions. They utilize state-of-the-art LED backlights to produce over 1,000 nits of brightness (vs. 250-300 nits for standard monitors). This results in amazingly bright, crystal-clear images, even with direct, bright sunlight on the face of the screen. The SRMD-15.6N Sunlight Readable Split Screen monitors are ideal for use in a wide range of applications where viewability in direct bright sunlight is crucial.

All TRU-Vu Industrial LCD monitors are specifically designed for use in demanding applications. Every TRU-Vu monitor utilizes industrial-grade components and high-end LCD panels not found in retail/consumer-grade monitors. This ensures superior image quality, improved performance and greater durability.

	Specifications
MODEL	SRMD-15.6N
LCD Panel	15.6" Color LCD; LED Backlights
Resolution	1366 x 768 (WXGA)
Viewable Area	13.55" (W) x 7.62" (H) (344.23 x 193.53 mm)
Pixel Pitch	0.252mm
Display Colors	16.2 M
Aspect Ratio	16:9
Brightness	1,000 nits
Contrast Ratio	500:1
Viewing Angle	170° (H) x 160° (V)
Response Time	8 msec Trf
Control	OSD (On-Screen Display) via Front Panel Pushbuttons
Video Inputs	VGA, 2X (BNC) Composite
In/Out Impedance	75Ω / Auto Terminating Output
Power Requirement	12-24 VDC
Power Consumption	25 Watts
Enclosure	Powder-Coated Steel
Mounting	Via 100x100mm Rear VESA Hole Pattern
Operating Temperature	+32°F to +140°F (0° to +60°C)
Humidity	5-90% RH
Shock	50 G (20 msec, ½ sine)
Vibration	1.5G RMS 10-200 HZ
Dimensions	15.0" (W) x 10.2" (H) x 2.0" (D) (381.0 x 259.08 x 50.80 mm)
Weight	7.39 lbs. (3.35 kg)

SRMD-15.6N 15.6" Sunlight Readable Split Screen LCD Monitor

Dimensions:



Standard Accessories:

- Remote Control
- Pigtail for Power

Available Options:

- 90-240 VAC Power Supply
- Protective Anti-Reflective Glass
- Speakers
- Tabletop Base (TTB-21)
- Wall Mount Bracket
- Open-Frame Configuration
- Private Label