



SRMWP-10.1R-24

10.1" Sunlight Readable Waterproof Panel-Mount Monitor

- 1,000 Nits Brightness
- Produces Clear, Sharp Images Even in Direct Bright Sunlight
- Stainless Steel Panel-Mount Enclosure; NEMA 4X
- Ambient Light Sensor Adjusts Screen Brightness Automatically
- Protective Anti-Reflective Glass
- Auto Re-Start After Power Loss
- Can Be Customized to Meet Your Needs
- 3 Year Warranty

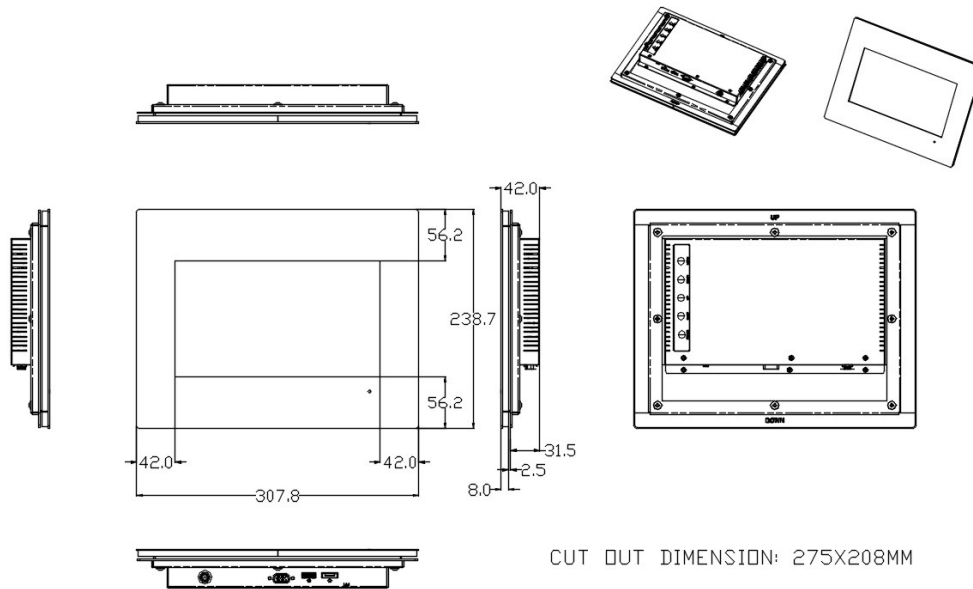
The SRMWP-10.1R-24 Sunlight Readable monitors with waterproof panel-mount enclosure are designed for use in direct bright sunlight, or other high ambient light environments. The 1,000 nits of brightness ensure bright, crystal-clear images. The stainless steel panel-mount enclosure enables you to flush mount it into walls, dashboards, kiosks and machinery. The NEMA 4X front face ensures resistance to water. The SRMWP-10.1R-24 is ideal for use in outdoor kiosks, on ships, for digital signage, industrial control systems, outdoor advertising, military systems, sport stadiums, and more.

All TRU-Vu industrial LCD monitors are specifically designed for use in demanding applications. Every TRU-Vu monitor utilizes industrial-grade components and high-end LCD panels not found in retail/consumer-grade monitors. This ensures superior image quality, improved performance and greater durability. Our 3-Year Warranty ensures you of reliable worry-free operation. Visit www.TRU-VuMonitors.com for more details.

Specifications	
MODEL	SRMWP-10.1R-24
LCD Panel	10.1" Color LCD; LED Backlights
Display Resolution	1024 x 600
Viewable Area	8.76" (W) x 4.9" (H) (222.72 x 125.28mm)
Pixel Pitch	.2175 x .2088mm
Display Colors	16:7M
Aspect Ratio	16:9
Brightness	1,000 nits
Contrast Ratio	500:1
Viewing Angle	140°(H) x 120°(V)
Response Time	16 ms
Control	OSD (On-Screen Display) via Rear Pushbuttons
Video Inputs	VGA, HDMI, DisplayPort
Power Requirement	12-24 VDC (with Locking Power Pigtail)
Power Consumption	13W
Enclosure	NEMA 4X Stainless Steel Panel-Mount with Rear Clamp
Operating Temperature	14° to 140° F (-10° to +60° C)
Humidity	5-90% RH
Shock	50G Half-sine
Vibration	1.5G RMS 10-200Hz
Dimensions	See Drawing on Reverse Side
Weight	TBD
Warranty	3 Years

SRMWP-10.1R-24 10.1" Sunlight Readable Waterproof Panel-Mount Monitor

Dimensions:



Standard Accessories:

- Locking (2.5mm) Power Pigtail

Available Options:

- DVI Input
- 90-240 VAC Power Supply
- Touch Screen
- Private-Label