



MM-17B

HD Medical-Grade LCD Display

- 17" TFT Color LCD
- High Resolution 1.3 Megapixel (1280 x 1024), 720p
- Meets UL 60601-1 Specifications
- Monitor Swivels to Operate in Portrait or Landscape Mode
- Internal Speakers
- Can Be Customized to Meet Your Needs
- 3 Year Warranty

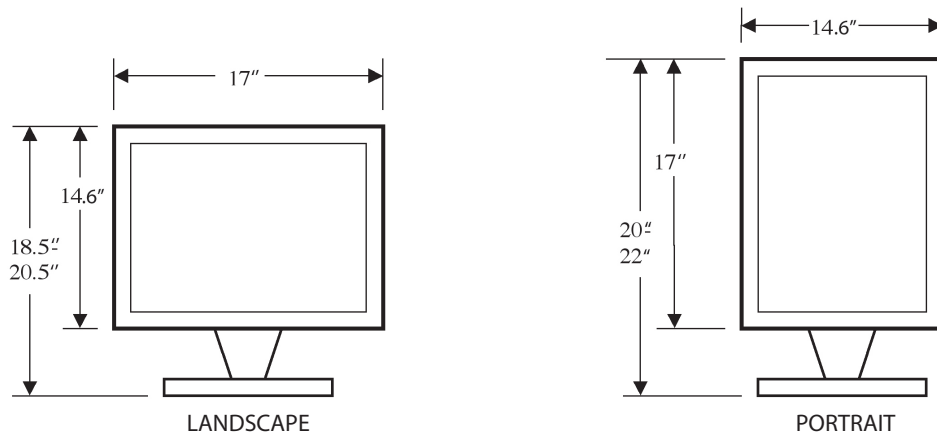
The MM-17B HD Medical-Grade LCD Monitor is the ideal replacement for outdated CRT displays. At less than half the size and weight, it is easily mounted on a boom, a wall, or in a diagnostic machine. The 1.3 megapixel resolution produces sharp vibrant color images. The MM-17B is specifically designed for use in hospital OR's, as well as GI, endoscopy, urology and other medical OEM systems.

TRU-VU customizable LCD monitors are specifically designed for use in demanding medical, industrial and commercial applications. Every **TRU-VU** monitor utilizes industrial-grade components and high-end LCD panels not found in retail/consumer-grade monitors. This ensures superior image quality, improved performance and greater durability. Visit www.TRU-VUMonitors.com for more details.

Specifications

LCD Panel	17" TFT Color LCD
Resolution	1.3 Megapixel, 1280 x 1024 (SXGA)
Viewing Area	13.3" (H) x 10.6" (V)
Pixel Pitch	0.264mm x 0.264mm
Display Colors	16.7 Million
Aspect Ratio	4:3
Brightness	300 nit
Contrast Ratio	500:1
Viewing Angle	160° (H) x 160° (V)
Response Time	5 msec
Control	OSD (On-Screen Display)
Video Inputs	VGA, Composite, NTSC/PAL (S-Video also available)
Analog Video Outputs	BNC Loop-Thru
In / Output Impedance	75Ω / Auto Terminating Output
Power Requirement	12VDC / 100-240VAC / 50/60 Hz
Power Consumption	38 Watts
Enclosure	ABS
Mounting	VESA Mounting 100mm x 100mm
Operating Temperature	40° F to 104° F
Humidity	10-85% RH
Rating	IP52
Approvals	UL 60601-1, UL/cUL, FCC-B, CE
Dimensions	17" (W) x 14.6" (H) x 2.75" (D)
Weight	25.3 lbs.

Dimensions:



Standard Accessories:

- VGA Cable
- Tabletop Stand

Available OEM Options:

- S-Video Input
- Private Label
- Customer Specific Modifications