



MM-17B

Medical-Grade LCD Display

- 17" TFT Color LCD
- High Resolution (1280 x 1024)
- Meets UL 60601-1 Specifications
- Monitor Swivels to Operate in Portrait or Landscape Mode
- Internal Speakers
- Can Be Customized to Meet Your Needs
- 3 Year Warranty

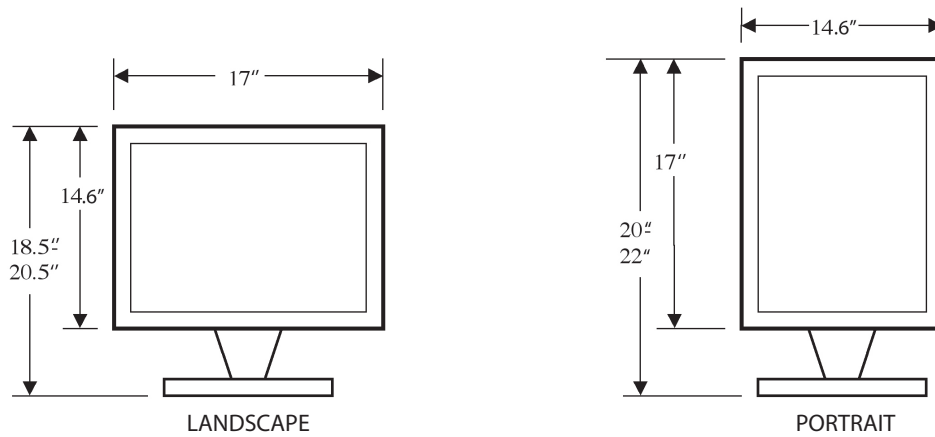
The **TRU-VU** MM-17B monitor produces clear, sharp, vibrant color images. It features a ground-isolated power supply, and meets UL-60601-1, making it ideal for use in O.R.'s, hospitals, and clinics requiring surgical-grade displays. The entire display swivels to operate in either portrait or landscape mode.

TRU-VU customizable LCD monitors are specifically designed for use in demanding medical, industrial and commercial applications. Every **TRU-VU** monitor utilizes industrial-grade components and high-end LCD panels not found in retail/consumer-grade monitors. This ensures superior image quality, improved performance and greater durability. Visit www.TRU-VUMonitors.com for more details.

Specifications

LCD Panel	17" TFT Color LCD
Resolution	1280 x 1024 (SXGA)
Viewing Area	13.3" (H) x 10.6" (V)
Pixel Pitch	0.264mm x 0.264mm
Display Colors	16.7 Million
Aspect Ratio	4:3
Brightness	300 nit
Contrast Ratio	500:1
Viewing Angle	160° (H) x 160° (V)
Response Time	5 msec
Control	OSD (On-Screen Display)
Video Inputs	VGA, Composite, NTSC/PAL (S-Video also available)
Analog Video Outputs	BNC Loop-Thru
In / Output Impedance	75Ω / Auto Terminating Output
Power Requirement	12VDC / 100-240VAC / 50/60 Hz
Power Consumption	38 Watts
Enclosure	ABS
Mounting	VESA Mounting 100mm x 100mm
Operating Temperature	40° F to 104° F
Humidity	10-85% RH
Rating	IP52
Approvals	UL 60601-1, UL/cUL, FCC-B, CE
Dimensions	17" (W) x 14.6" (H) x 2.75" (D)
Weight	25.3 lbs.

Dimensions:



Standard Accessories:

- VGA Cable
- Tabletop Stand

Available OEM Options:

- Private Label
- Customer Specific Modifications