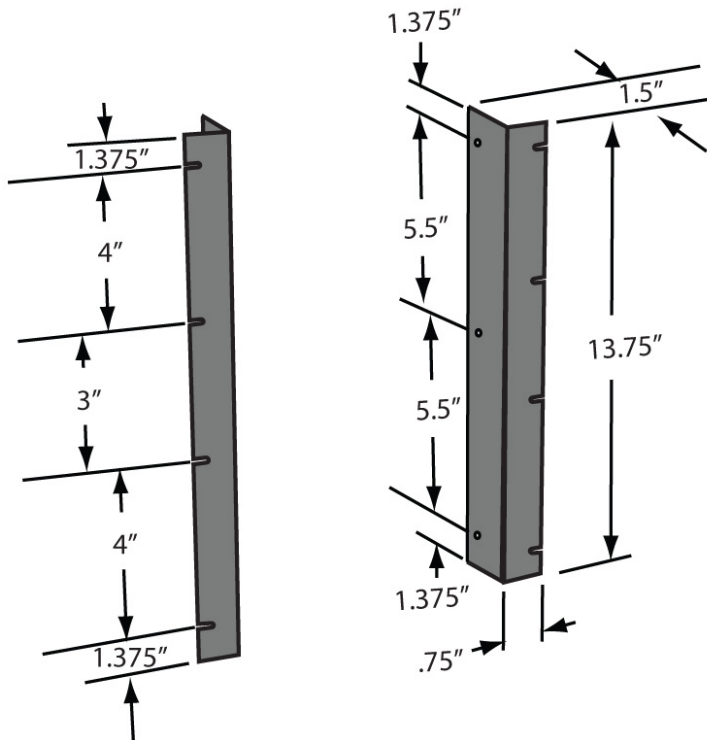


MB-RACK-20 Rack Mount Bracket

- Converts a standard **TRU-VU** Monitor VM-20E 20" Monitor to a 20" Rack Mount Monitor
- Compatible with standard 19" Racks
- Attaches in Minutes
- Very Economical



Why spend extra \$\$ for a rack mount monitor? Here is a low-cost, add-on solution to meet your rack mount monitor needs. Just bolt onto each side of a standard **TRU-VU** VM-20E 20" monitor, and your rack mount monitor is complete!

Instructions

If your display has a stand attached, remove it first. Attach the MB-RACK-20 brackets by removing the 3 screws from each side of the **TRU-VU** VM-20E display, placing a bracket in position (protruding wings towards the front), and replacing the screws in each side through the holes in the bracket. You can then attach the assembly to your rack mount using the slots on the protruding wings.

