

SXOB-49-XTR-P

49" Outdoor Waterproof Sunlight Readable LCD Monitor/TV



- IP 68/NEMA 6 Fully-Sealed Enclosure; No Vents, Filters or Fans
- Full HD Resolution: 1920 x 1080 (1080p/60)
- Internal Heating and Cooling for Use in Nearly Any Environment
- Optically Bonded; Can Be Viewed In Direct Sunlight
- Ambient Light Sensor Adjusts Screen Brightness Automatically
- Anti-Reflective, Impact-Resistant Safety Glass
- Built-in TV Tuner
- Made in USA

The **SXOB-49-XTR** Sunlight Readable Waterproof LCD monitor/TV represents the most advanced technology available today. The Optically Bonded high-brightness screen enables users to see clear, sharp video images even with bright sunlight directly on the screen. The Anti-Reflective, UV-protective safety glass reduces glare and reflections while protecting the screen.

The **SXOB-49-XTR's** fully-sealed enclosure carries the highest waterproof/protection rating (IP 68) of any monitor/TV on the market. A patented internal heating/cooling system keeps components cool in hot conditions and safely warmed in cold temperatures. This eliminates the need for air vents, filters or exhaust fans found in other units. The entire IP 68-rated enclosure is completely sealed against weather, water, dirt, dust, sand, bugs and airborne particulates. This is the ultimate solution for use outdoors, or in nasty industrial environments.

	Specifications	
MODEL	SXOB-49-XTR-P	
LCD Panel	49" Industrial-Grade LCD Monitor	
Display Resolution	1920 x 1080	
Viewable Area	42.275" x 23.779" (1073.8 x 604mm)	
Pixel Pitch	.55926mm	
Display Colors	10 Bit, 1.06 Billion Colors	
Aspect Ratio	16:9	
Brightness	700 nits	
Contrast Ratio	1,300:1	
Viewing Angle	178° (H) x 178° (V)	
Response Time	8ms (Gray to Gray)	
Video Inputs	VGA, HDMI (x3, Component (YPbPr), Composite (RCA), Coax (TV)	
Audio Inputs	VGA Stereo (3.5mm), CVBS Stereo (RCA), YPbPr Stereo (RCA)	
Audio Outputs	8W+8W, 8 Ohm via 3.5mm jack; S/PDIF Digital Audio Output (RCA)	
Control	Remote Control; RS-232 Control	
Power Requirement	90 VAC to 240 VAC, 47 to 63 Hz	
Power Consumption	Display - 104W (Nominal)	Low Temperature Heater - 804W
Enclosure	Rugged IP 68/NEMA 6 Waterproof Enclosure	
Protective Glass	Anti-Reflective & UV Protective Safety Glass, 4 mm thick	
Mounting	600mm x 400m VESA Hole Pattern	
Operating Temperature	-40°F to +140°F (-40 to +60°C)	
Dimensions	44.51" (W) x 26" (H) x 5.73" (D) (1,131 x 766 x 276mm)	
Net Weight/Shipping	99.5 lbs. / 108.5 lbs.	
Warranty	2 Years	

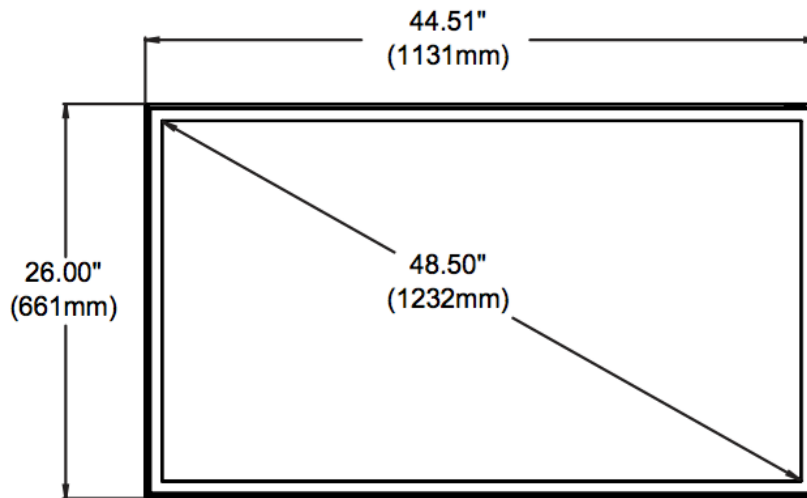
SXOB-49-XTR

49" Outdoor Waterproof Sunlight Readable LCD Monitor/TV

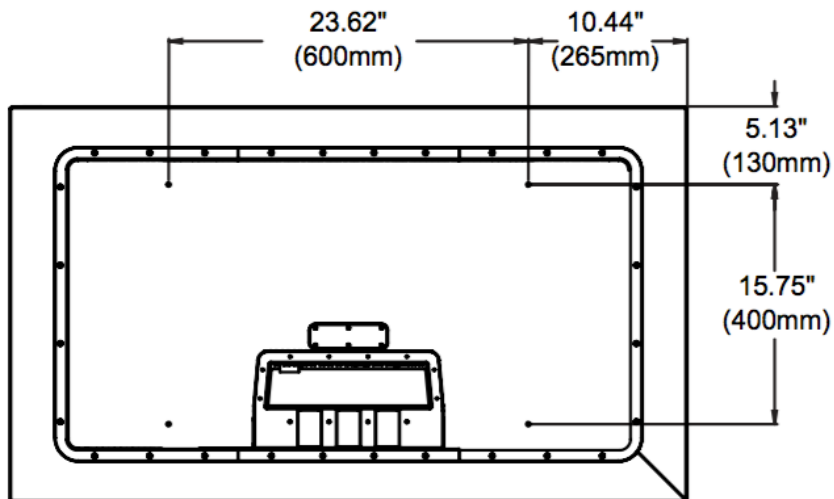
Dimensions:



TOP VIEW



FRONT VIEW



BACK VIEW