

VM-24 Series

24" Customizable HD LCD Monitor



- 24" HD Color LCD Monitor
- Full HD Resolution: 1920 x 1080 (1080p/60)
- Wide Viewing Angle: 178° x 178°
- LED Backlights
- Video Inputs: VGA, HDMI, DisplayPort, DVI-D
- Dual Internal Speakers
- Can Be Customized to Meet Your Needs
- 3 Year Warranty

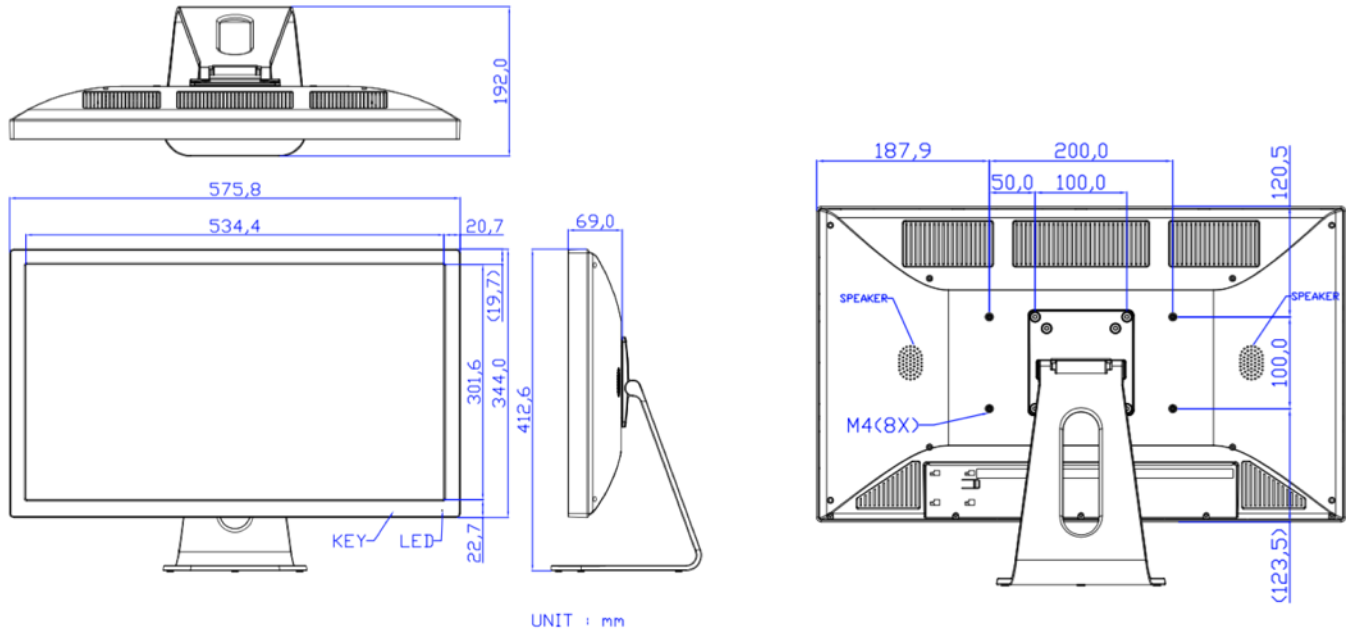
The VM-24 Series full HD widescreen LCD monitors provide brilliant color, amazing high-def resolution and incredible picture quality. The VM-24 Series offer VGA, HDMI, DisplayPort and DVI analog and digital video input capabilities, as well as dual audio speakers. An extensive list of available OEM options enables you to customize the VM-24 Series to your specific needs. The VM-24 Series are ideal for industrial, broadcast, digital signage, medical and commercial applications. They are backed by our standard 3-Year Warranty.

All TRU-Vu industrial LCD monitors are specifically designed for use in demanding applications. Every TRU-Vu monitor utilizes industrial-grade components and high-end LCD panels not found in retail/consumer-grade monitors. This ensures superior image quality, improved performance and greater durability. Visit www.TRU-VuMonitors.com for more details.

Specifications		
MODEL	VM-24C	VM-24R
LCD Panel	24" TFT Color LCD; LED Backlight	
Display Resolution	1920 x 1080 (1080p/60, Full HD)	
Display Area	20.91" (W) x 11.76" (H) (531.36 x 298.7 mm)	
Pixel Pitch	0.277 mm	
Display Colors	16.7M	
Aspect Ratio	16:9	
Brightness	250 nits	
Contrast Ratio	3,000:1	
KViewing Angle	178° (H) x 178° (V)	
Response Time	12 msec Trf	
Video Input Connectors	VGA, DVI	VGA, HDMI, DisplayPort
Audio	Dual Rear Speakers	
Power Requirement	12 VDC (90-260 VAC with included Power Brick)	
Power Consumption	27W	
Enclosure	ABS (Optional: Waterproof Stainless Steel)	
Mounting	Included Base or via 100 x 100/100 x 200 VESA Hole Pattern	
Operating / Storage Temperature	32° to 122° F / (0° to 50° C)	
Humidity	5-90% RH	
Shock	50 G (20 msec, 1/2 sine)	
Vibration	1.5G RMS 10-200 HZ	
Dimensions	22.66" (W) x 13.5" (H) x 2.7" (D) / 575.8 (W) x 344 (H) x 69 (D) mm	
Weight	9.46 lb (4.29kg) lbs.	
Warranty	3 Years	

VM-24 Series 24" Customizable HD LCD Monitor

Dimensions:



Standard Accessories:

- VGA Cable
- DVI Cable
- AC Power Adapter

Available Options:

- Panel-Mount
- 24VDC Operation
- Waterproof Stainless Steel Enclosure (VMW-24R-SS)
- BNC Input/BNC Output
- Touch Screen
- Private Label

TRU-VU Monitors, Inc. | 925 E Rand Road
Arlington Hts, IL
60004

Ph: 847.259.2344

www.TRU-VUMonitors.com