

SRMT-15.6 Series

15.6" Sunlight Readable Touch Screen LCD Monitor



- Produces Clear, Sharp Images Even in Direct Bright Sunlight
- Resistive, SAW or Surface Capacitive Touch Screen
- 1,000 or 1,500 nits Brightness
- LED Backlights
- Auto Re-Start After Power Loss
- Lockable On-Screen Display Controls
- Dim-to-Black Via Front Pushbuttons
- Available with NEMA 4X Waterproof Enclosure
- 3 Year Warranty

The SRMT-15.6 Series Sunlight Readable Touch Screen monitors are designed to operate in direct bright sunlight, or in other high ambient-light conditions. They utilize state-of-the-art LED backlights to produce over 1,000 nits of brightness (vs. 250-300 nits for standard monitors). This results in amazingly bright, crystal-clear images, even with direct, bright sunlight on the face of the screen. The SRMT-15.6 Series Sunlight Readable Touch Screens are ideal for use in a wide range of industrial, law enforcement, aviation, marine, military, inspection, advertising, material handling (cranes) and transportation applications where viewability in direct bright sunlight is crucial.

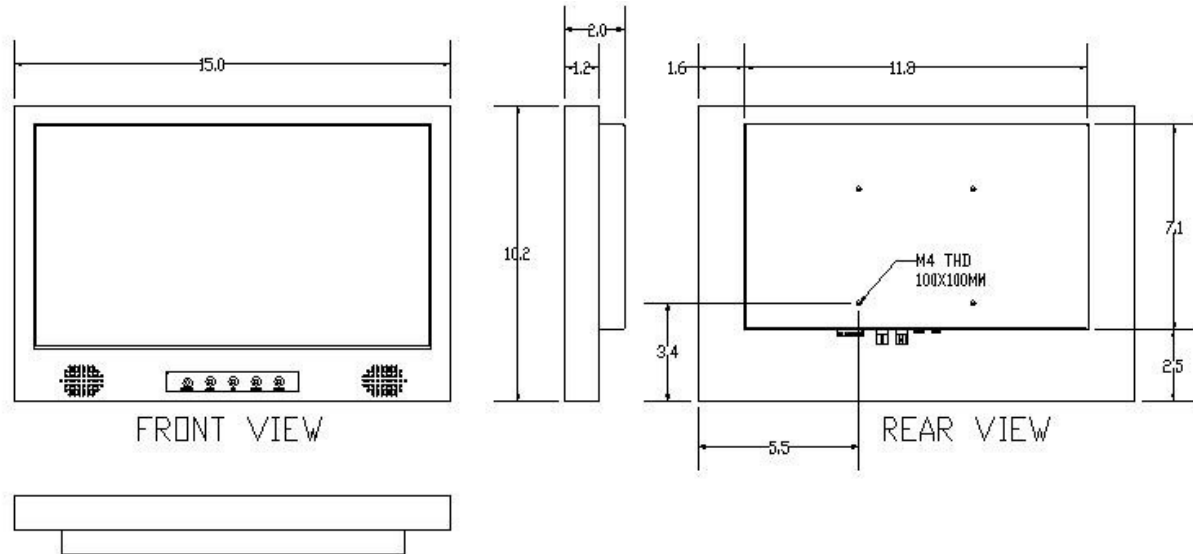
The SRMT-15.6 Series Sunlight Readable Touch Screen monitors are built with industrial-grade components, and receive our exclusive **TRU-Tuff** treatment. The **TRU-Tuff** process includes: RTV silicone on all connections and critical components; all wires are dressed, tie-wrapped and secured; and ThreadLock on all screws. This, plus the rugged powder-coated steel enclosure, ensures maximum shock and vibration resistance.

Specifications

MODEL	SRMTS-15.6J	SRMTC-15.6J	SRMTR-15.6R	SRMHXTRW-15.6C
LCD Panel	15.6" Color LCD; LED Backlights			
Touch Technology	SAW (Surface Acoustic Wave)	Surface Capacitive	5-Wire Resistive	
Touch Interface	USB and RS-232		USB	
Resolution	1366 x 768 (WXGA) (Will Accept Video Inputs up to 1920 x 1080 resolution)			1920 x 1080 Full HD
Viewable Area	13.55" (W) x 7.61" (H) (344.23 x 193.53 mm)			
Pixel Pitch	0.252mm			0.179mm
Display Colors	16.2M			16.7M
Aspect Ratio	16:9			
Brightness	1,000 nits			1,500 nits
Contrast Ratio	500:1			700:1
Viewing Angle	170° (H) x 160° (V)			160° (H) x 140° (V)
Response Time	8 msec Trf			
Control	OSD (On-Screen Display) via Front Panel Pushbuttons			Rear Pushbuttons
Video Inputs	DVI, BNC Loop-Thru (VGA & HDMI Via		VGA, HDMI,	VGA, DVI
Audio	Front Speakers		Optional	—
In / Output Impedance	75Ω / Auto Terminating Output			—
Power Requirement	12-24VDC (2.5mm Barrel Plug with Locking Connector)		12 VDC / 90-240 VAC	
Power Consumption	25 Watts			
Enclosure	Powder-Coated Steel			NEMA 4X Waterproof Stainless Steel
Mounting	100x100mm Rear VESA Hole Pattern			
Operating Temperature	+32° to +140° F (0° to +60° C)			14°F to +158°F (-10° to +70° C)
Humidity	5-90% RH			
Shock	50 G (20 msec, ½ sine)			
Vibration	1.5G RMS 10-200 HZ			
Dimensions	15.0" (W) x 10.2" (H) x 2.0" (D) (381.0 x 259.08 x 50.80 mm)			TBD
Weight	8.82 lb (4 kg)			TBD

SRMT-15.6 Series 15.6" Sunlight Readable Touch Screen LCD Monitor

Dimensions (except Waterproof Model):



Standard Accessories:

- VGA Cable (Except SRMHXTRW)
- DVI-to-HDMI Cable (Except SRMHXTRW)
- DVI-to-VGA Adapter (Except SRMHXTRW)
- Power Pigtail with Locking Connector (Except SRMHXTRW)
- USB Cable
- AC Power Supply (SRMHXTRW only)

Available Options:

- Automated Ambient Light Sensor
- 90-240VAC External Power Adapter (PS-12-LC)
- Protective Anti-Reflective Glass
- Speakers
- Tabletop Base (TTB-21)
- Wall Mount Bracket
- NEMA 4X Waterproof Panel Mount Enclosure
- Open-Frame Configuration
- Private Label